

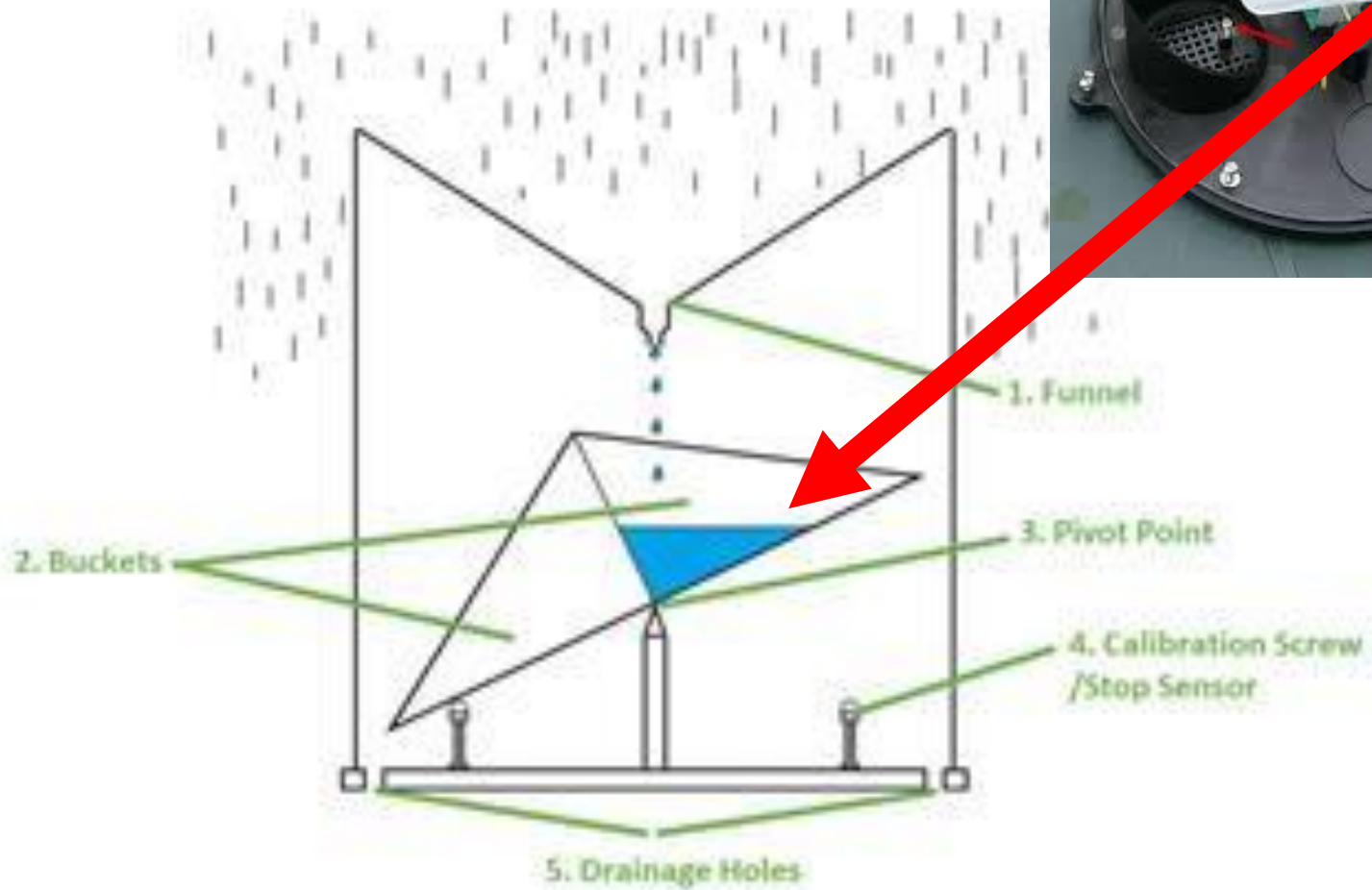
Rainfall Observation (digital and manual rain gauges)



Tipping Bucket Rain gauge (w/ digital monitor)



Tipping bucket principle



Maintenance

Clean / check

**Check / replace
when necessary**

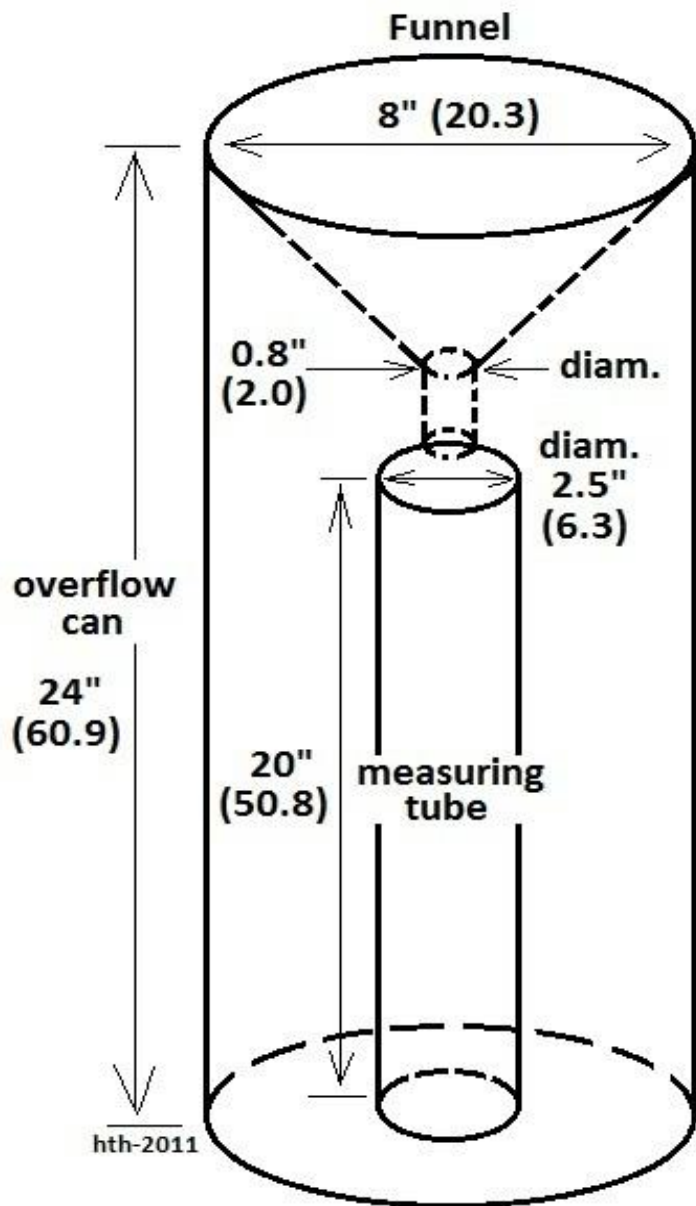


Standard Manual Rain gauge



Dimensions of a Standard Rain Gauge

inches (centimeters)



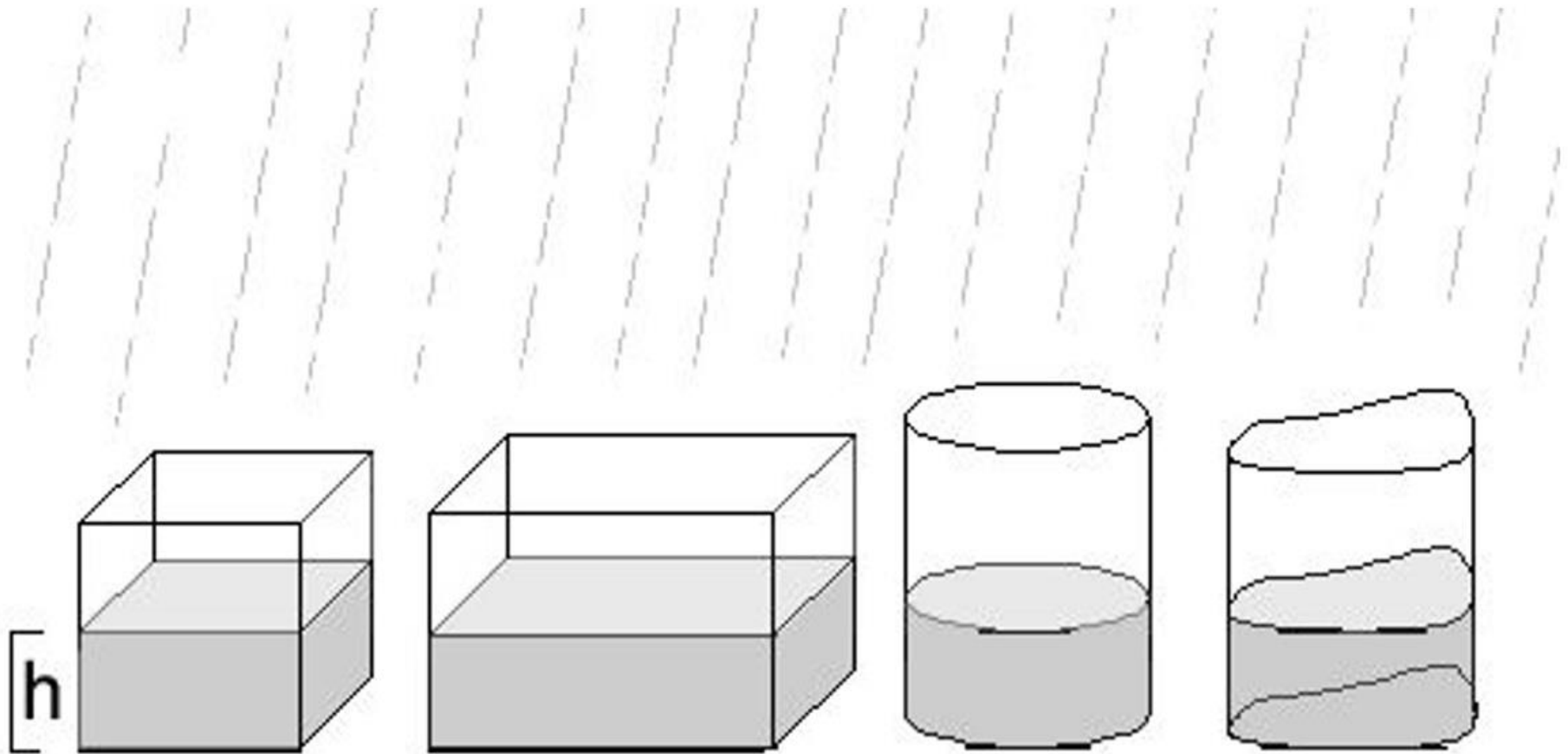
Ang isang puno ng measuring tube ay katumbas ng lalim ng ulan na 2" (inches) o kaya ay 50.8 mm (millimeters)

simple manual rain gauge set-up



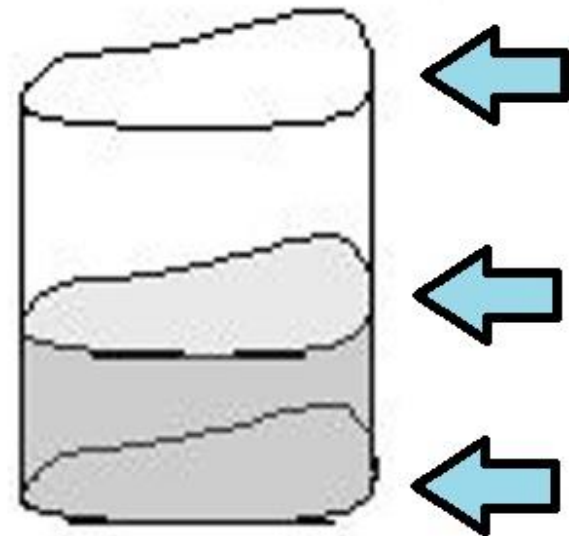
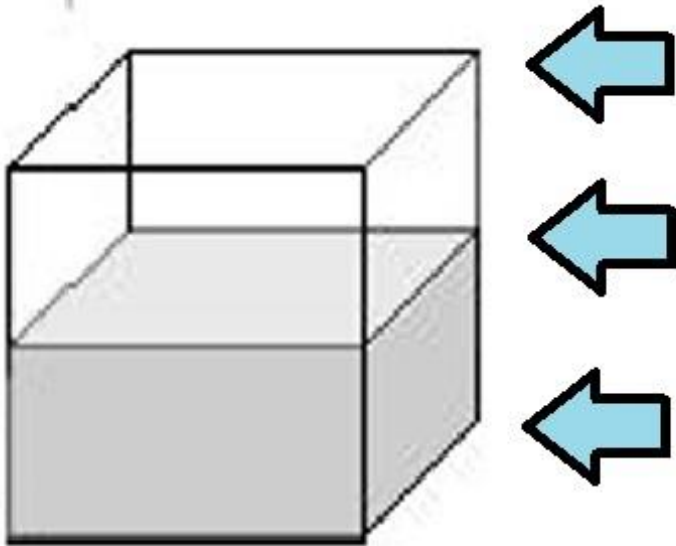
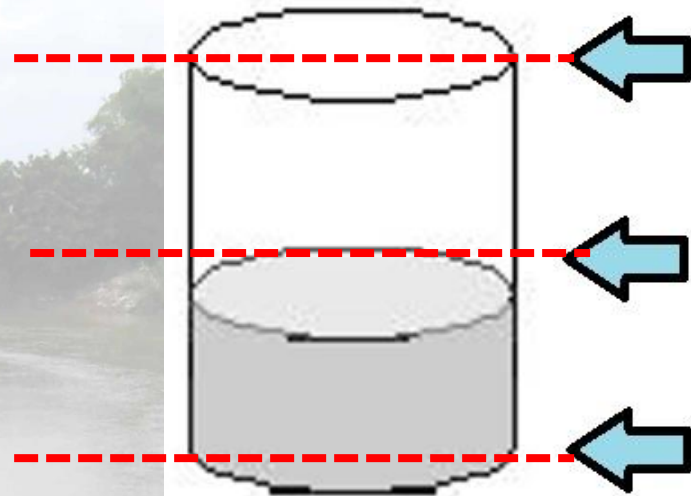
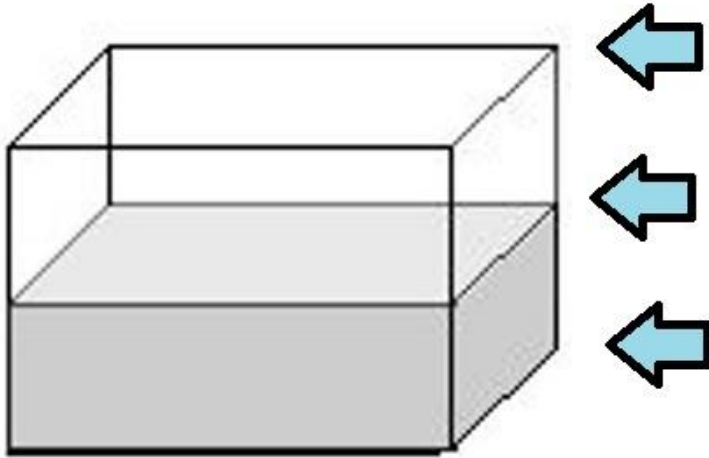
Rainfall Observation (using “prototype” rain gauges)





A rain gauge is an instrument to measure rainfall, which is measured in millimeters. Occasionally the rain fall is also reported in centimeters (mm) or in inches.

Container should have same cross-section from top to bottom



PRFFWC





Opening should be...

OK



The SHINe prototype rain gage





Rain gage & rainfall observation: Something to think about...



Location...



**2 x A
at least**



**2 x B
at least**





Monthly Data Sheet

Rainfall (1/100 inch)

Station:

PRFFWC

LAT.

Year:

2021

LONG

Month:

JULY

Note: BLANK means "NO observations made"



Day	1:00	2:00	3:00	4:00	5:00	6:00	7:00	8:00	9:00	10:00	11:00	12:00	13:00	14:00	15:00	16:00	17:00	18:00	19:00	20:00	21:00	22:00	23:00	0:00
1				0				0								0	0		0					
2				0				0								0	10	171	1	5			1	
3				0				0								13								
4				5	1			6								0		26						
5				0				0								0								
6				0				0								32	3	7	6			1		
7				0				0								0	0							
8				0				0								0								
9				0				0								0								
10				0				0								0	0							
11				0				0								0	0							
12				0				0								0	0							
13				0				0								0	0				5			
14				0				0								0	0							
15				0				0								0	0	42	5					
16	4			0				0								0	0							1
17				0				0								0	0							
18				0			T	0				T				0	0		5					2
19				0				0								13	6							5
20				0				3	15	7	3	9	3	0	0	0			1					
21				3	7	6	12	32	24	17	5	1	0	0	0	2	4	10	4	1	0			09
22				16			06	0	06	06	07	05	0	05	06	04	04	0	09					
23				0	30		20	25			08		12	02		03	33		51	66		17	03	
24			08	0				27				12	15	12	18	10	0	0	02	05	01			
25		10	01	0	02	51	01	46	38	12	13	4	01	01		0	0		01					
26				0				0								0								
27				6				0								0								
28				0				0			6	97	29	25	19	17	47	4	0	0	5	2	0	0
29	36	X	26	0	17	X	40	15	36	14	5	11	X	6	2	4	5	X	10	X	3	1	0	0
30	0	0	0	2	4	0	0	0	0	03	2	1	0	14	11	0	41	0	0	0	0	0	0	0
31	0	0	0	0	0	0	0	0	0	0	0	0	0	9	0	0	0	0	0	0	2			3

Remarks:

4

Monthly Data Sheet

Rainfall (1/100 inch)

hth-2007

Station: **PRFFWC - CSFP**

LAT. **15-04-04 N**

Year: **2021**

LONG **120-39-22 E**

Month: **July**

Note: BLANK means "NO observations were made"

Day	1:00	2:00	3:00	4:00	5:00	6:00	7:00	8:00	9:00	10:00	11:00	12:00	13:00	14:00	15:00	16:00	17:00	18:00	19:00	20:00	21:00	22:00	23:00	0:00	
1				0				0								0	0		1						
2				0				0								0	10	171	1	5			1		
3				0				0								13	0								
4				5	1			0								0	0	26							
5				0				0								0	0								
6				0				0								32	3	7	6			1			
7				0				0								0	0								
8				0				0								0	0								
9				0				0								0	0								
10				0				0								T	0								
11				1				0								0	0								
12				0				0								0	0								
13				0				0								0	0				5				
14				0				0								0	0								
15				0				0								0	0	42	5						
16	4			0				0								0	0							1	
17				0				0								0	0								
18				0			T	0				T				0	0		5					2	
19				1				0								13	6							5	
20				8				3	15	7	3	9	3	0	0	0	0		1						
21				3	7	6	12	32	24	17	5	1	0	0	0	2	4	10	4	1	0			9	
22				16			6	0		6	7	5	0	5	6	4	4	0	9						
23				0	30		20	25			8		12	2		3	33		51	66		17	3		
24			8	0				22				12	15	12	18	10	0	0	2	5	1				
25		10	1	0	2	51	1	46	38	12	13	4	1	1		0	0		1						
26				0				0								0	0								
27				6				0								0	0								
28				0				0			6	97	29	25	19	17	47	4	0	0	5	2	0	0	
29	36	x		26	0	17	x	40	15	36	14	5	11	x	6	2	4	5	x	10	x	3	1	0	0
30	0	0	0	2	4	0	0	0	0	3	2	1	0	14	11	0	41	0	0	0	0	0	0	0	0
31	0	0	0	0	0	0	0	0	0	0	0	0	0	9	0	0	0	0	0	0	0	2	0	3	
1				0				0																	

Remarks:

Table B3. Daily Point Rainfall in millimeters (meteorological day)

2020		Station: Angat National High School (SHINE Program)											
Day	Jan	Feb	Mar	Apr	May	Jun	Jul	Aug	Sep	Oct	Nov	Dec	
1	0.0	0.0	0.0	0.0	0.0	7.6	0.0	3.6	0.0	27.9	23.6	0.0	

J.J.Russell monthly rainfall in 2020

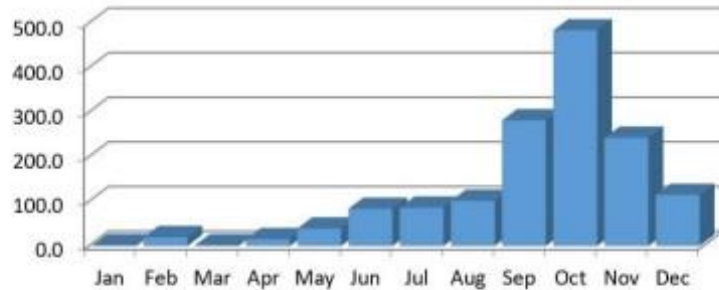


Figure B4. J.J. Russell Memorial High School monthly rainfall hyetograph (2020)

Obando School of Fisheries monthly rainfall in 2020



Figure B5. Obando School of Fisheries monthly rainfall hyetograph (2020)

Angat National HS monthly rainfall in 2020

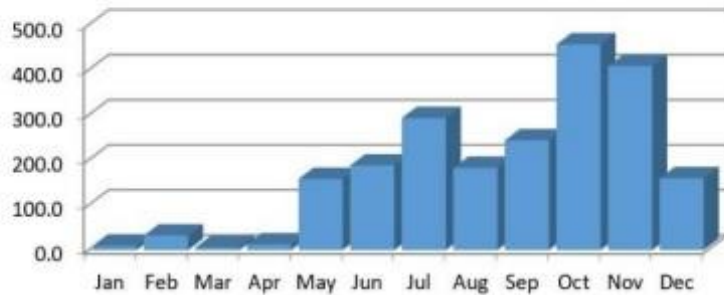


Figure B6. Angat National High School monthly rainfall hyetograph (2020)

Total rain for the year	2150.6
Total rain days for the year	167



Website: bulacanshine.yolasite.com

FB: <https://www.facebook.com/groups/bulacan.shine>

FB: <https://www.facebook.com/SHINeBulacan>

Bulacan SHINE

Home About us Tibagan HS SRNTS 1st-SHINE-conf-2010 2nd-SHINE-conf-2011 Hagonoy-SHINE-2012 SHINE-BU-2012 3rd-SHINE-conf-2012 shine-2013 with SCI France HS Sta Lucia HS Sta Monica HS Frances ES A Santos ES F Mendoza ES San Agustin ES Sta Monica ES Hagonoy East Central ES SHINE-PRUDENCE-2013 SHINE-Baggao2013 4th-SHINE-conf-2013 2014 SHINE Schools 5th-SHINE-Conf-2014 6th SHINE Conf-2015 Bajet-Castillo Felipe-de Jesus Meycauayan HS Virgen de las Flores 7th SHINE Conf 2016 Guiguinto NVHS Malolos City Integrated School Dona-Candelaria-Meneses-Duque HS San Roque NHS Bunsuran HS Balagtas Obando School of Fisheries 8th-SHINE-conf-2017 9th-SHINE-Conf-2018 10th-SHINE-Conf-2019 Related materials Contact us

Bulacan School Hydrological Information Network (SHINE)

Bulacan SHINE Main Website: www.bulacanshine.webs.com



The SHINE program - Hydromet-related Disaster Awareness and Preparedness in Schools because we believe that disaster awareness and preparedness begins in school.

2015 Event: 6th SHINE Conference

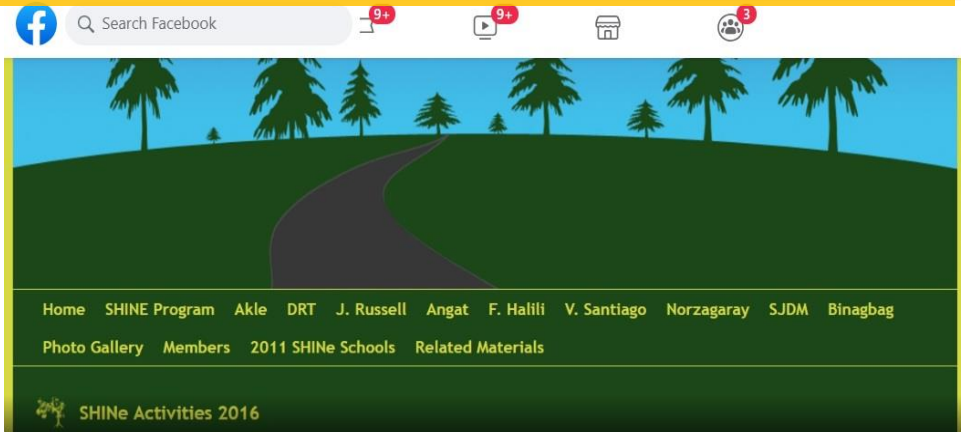
School SHINE Groups for 2014

- Assemblywoman Felicitia G. Bernardino Memorial Trade School (Maricao)
- Iluminada Roxas Mendoza Memorial High School (Bocaue)
- Obando National High School (Obando)
- Sto. Cristo National High School (SJDJM)

2017 Event: 8th SHINE Conference

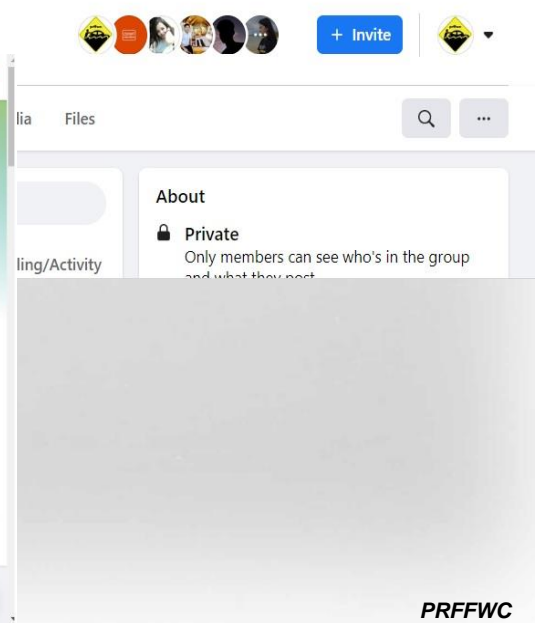
School SHINE Groups for 2017

- Malolos City Integrated School
- Dona Candelaria Meneses Duque NHS
- Guiguinto National Vocational High School
- San Roque National HS
- Bunsuran High School
- Balagtas Agricultural High School



Bulacan SHINE (School Hydrological Information Network)

Private group · 193 members



Maraming Salamat po. Maligayang Pasko 2021 Masagana at Payapang Bagong Taon 2022!!



PRFFWC

FLOOD WARNING AND INFO SERVICES AT ITS BEST !!!



www.prffwc.synthasite.com