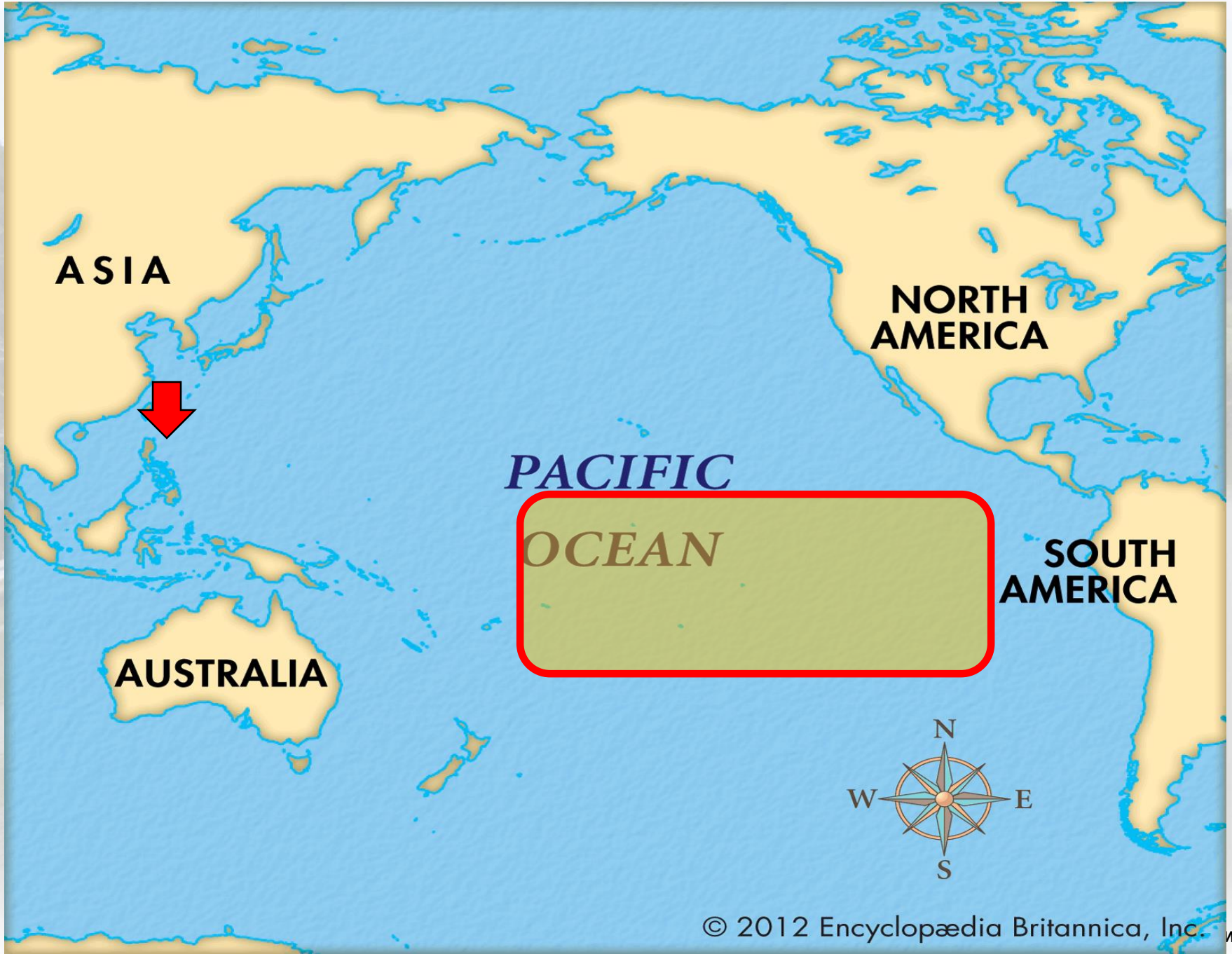


LA NIÑA (EL NIÑO)
Rainfall Observation
(digital rain gauge)
(“homemade” rain gauge)

SHINE Video TeleConference Session; Dec 15, 2020





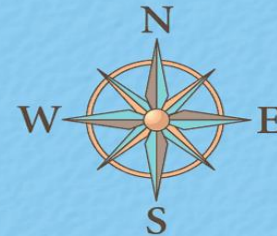
ASIA

**NORTH
AMERICA**

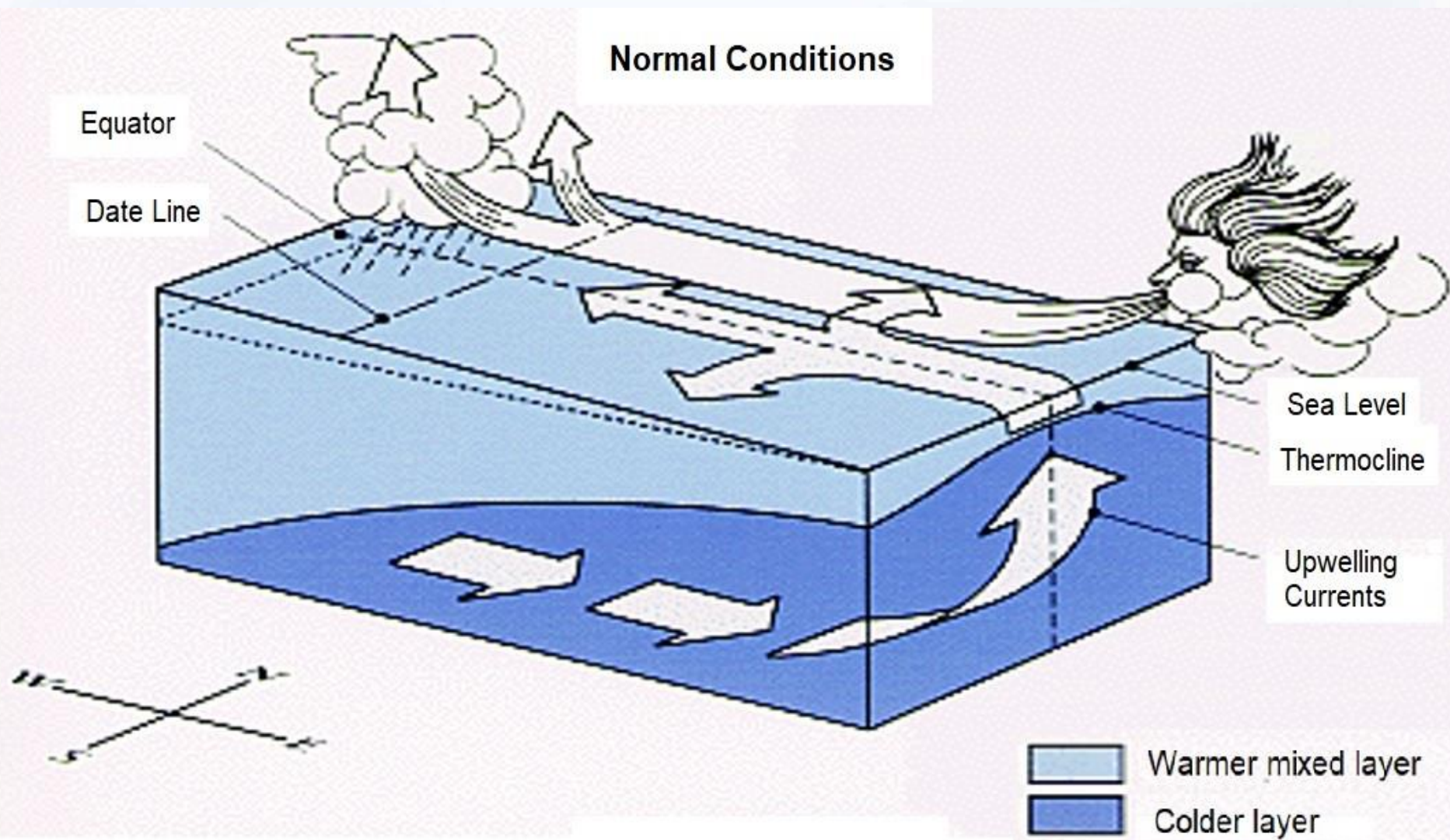
*PACIFIC
OCEAN*

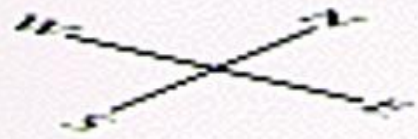
**SOUTH
AMERICA**

AUSTRALIA



PRFFWC





El Niño Condition

Equator

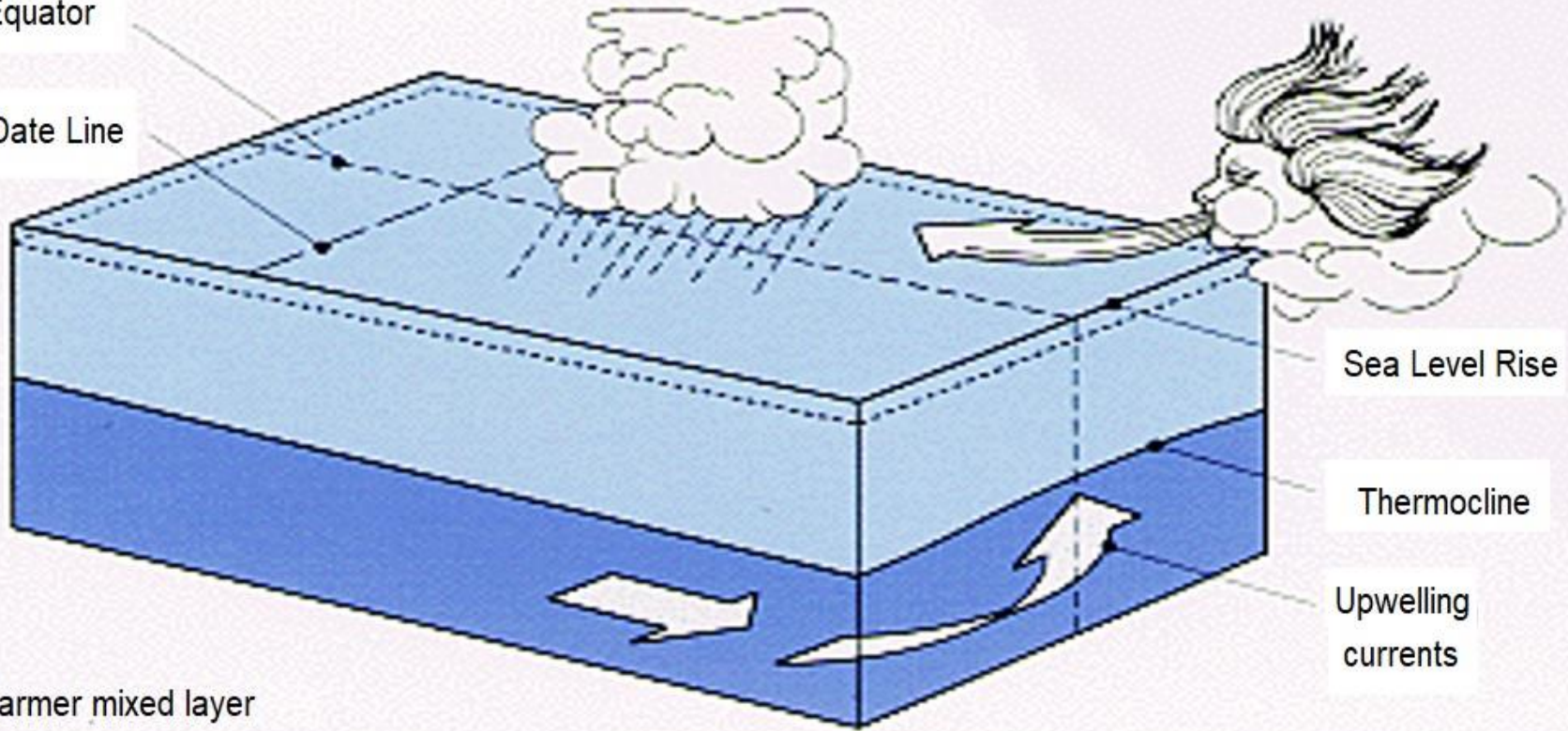
Date Line

Sea Level Rise

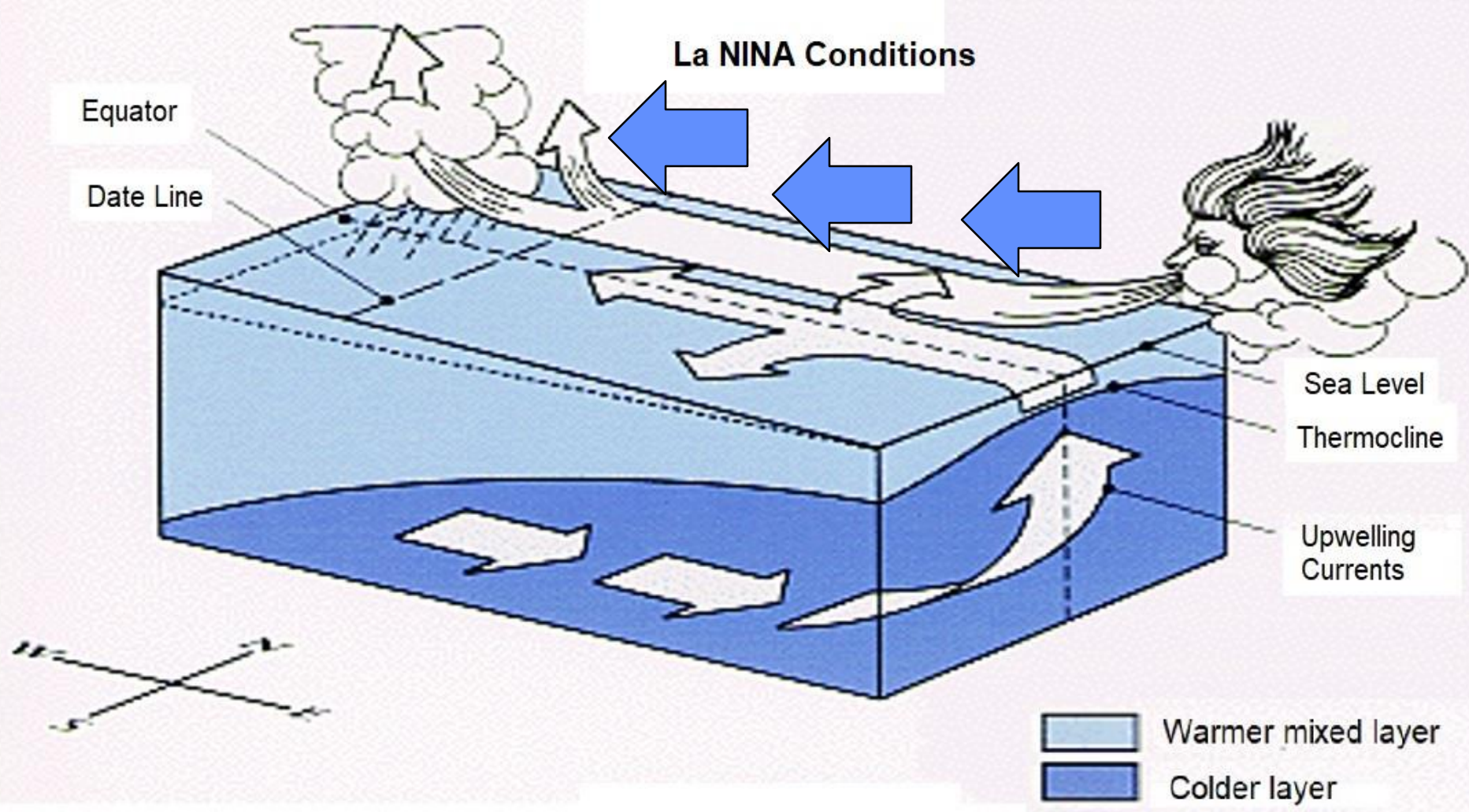
Thermocline

Upwelling currents

Warmer mixed layer
Colder layer



PRFFWC



Effects of EL NIÑO in the Philippines

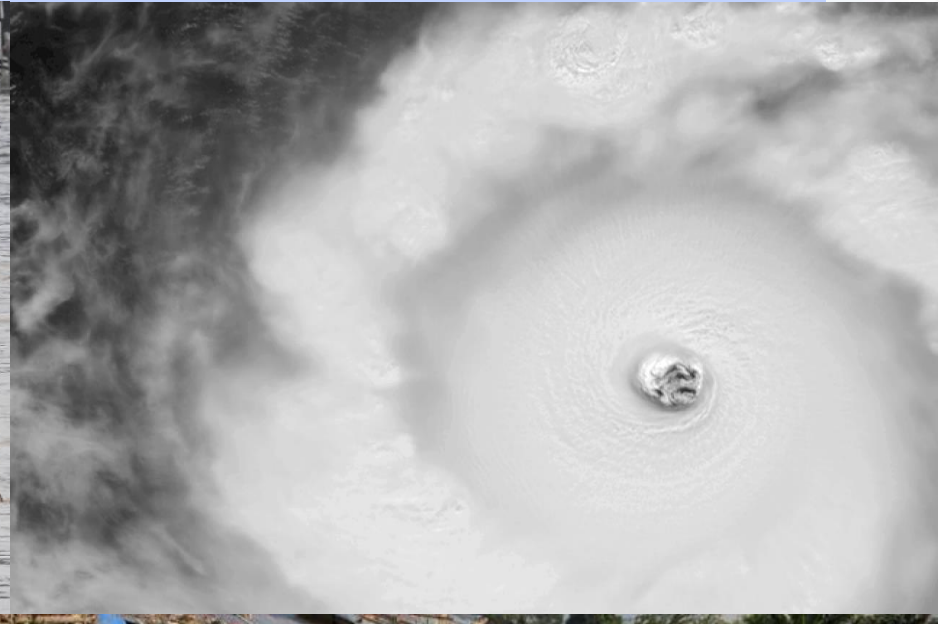


WWW.NEWS.CN

Internet pic

PRFFWC

Effects of LA NIÑA in the Philippines



Internet pic

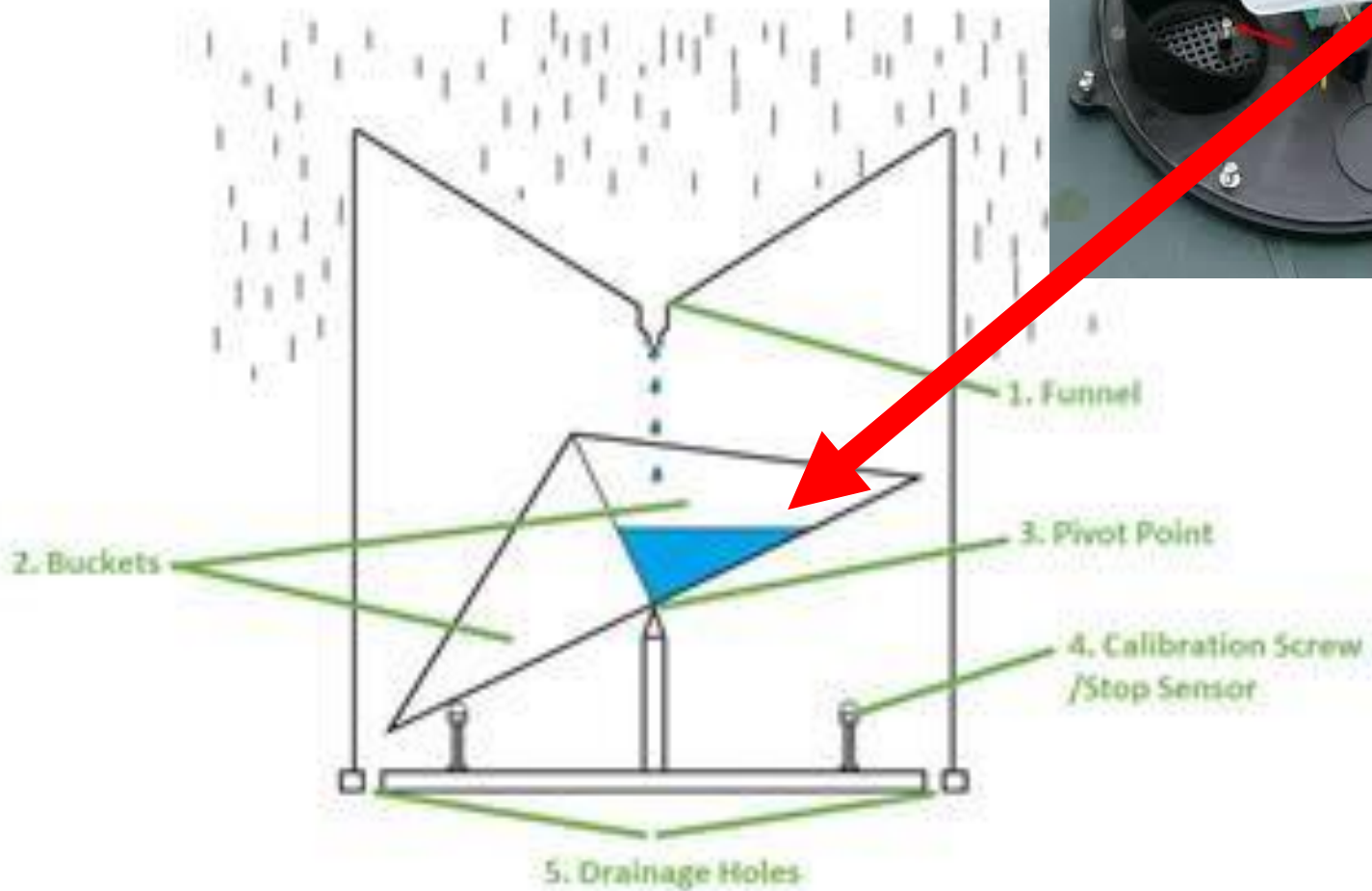
Rainfall Observation (digital and manual rain gauges)



Digital Rain gauge (Rainwise)



Tipping bucket principle



Maintenance

Clean / check

Check / replace
when necessary

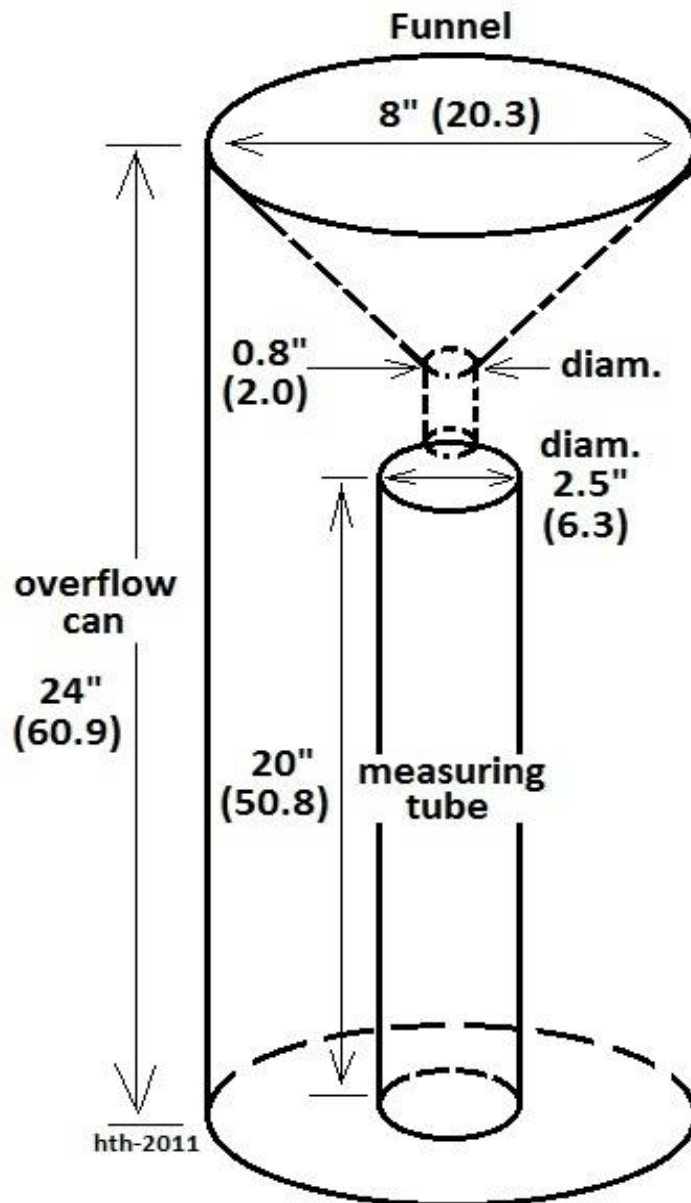


Standard Manual Rain gauge



Dimensions of a Standard Rain Gauge

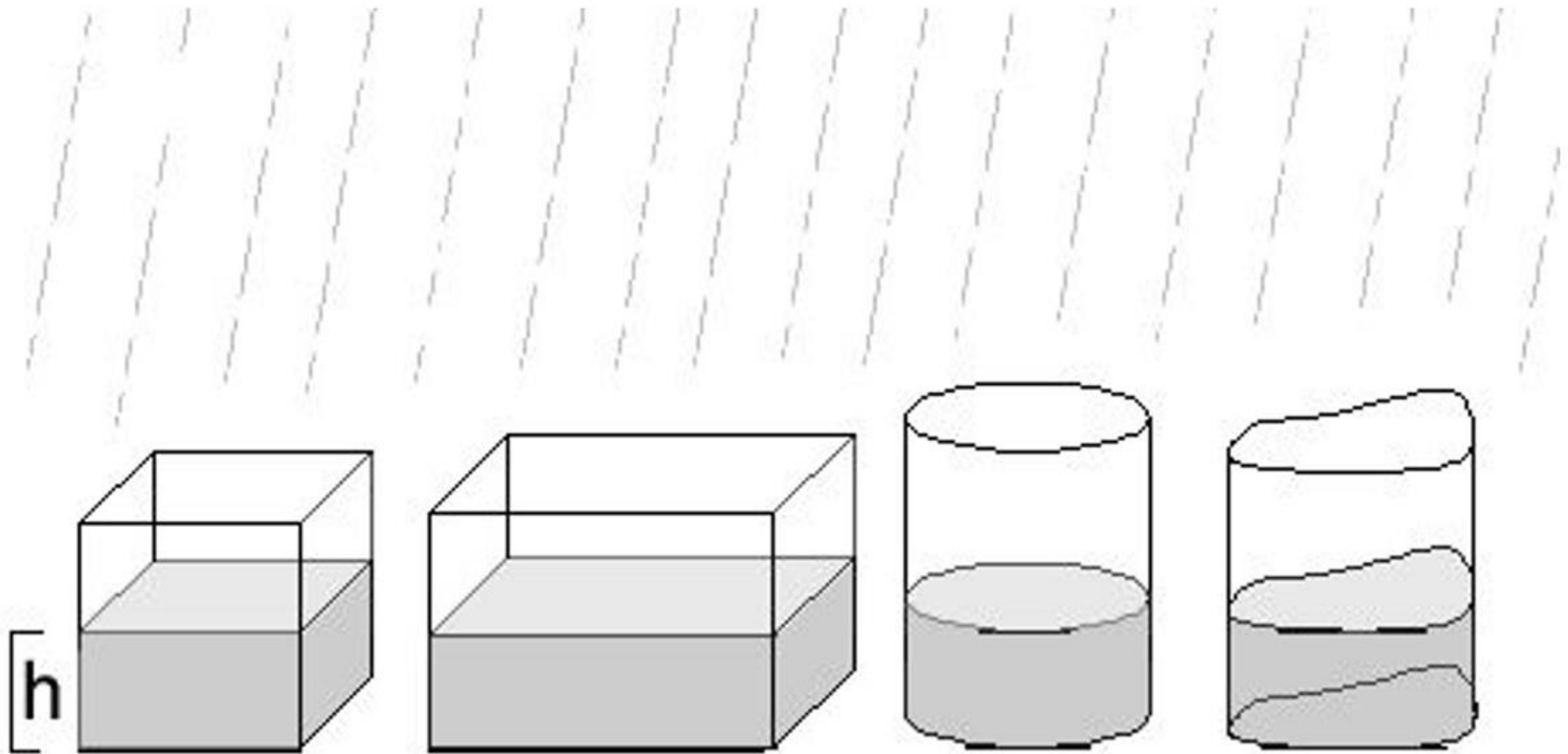
inches (centimeters)



Ang isang puno ng measuring tube ay katumbas ng lalim ng ulan na 2" (inches) o kaya ay 50.8 mm (millimeters)

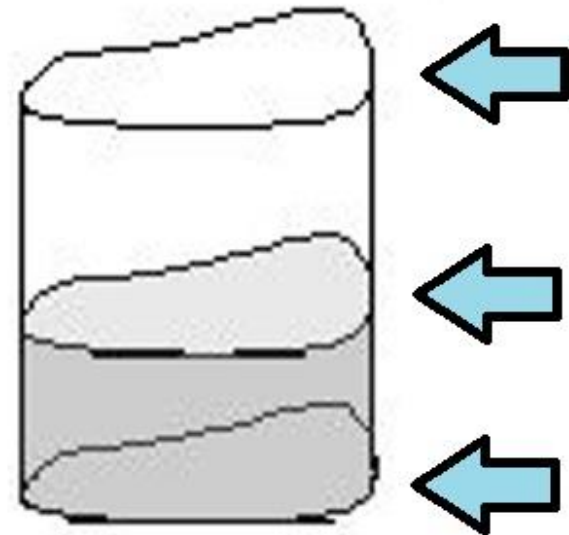
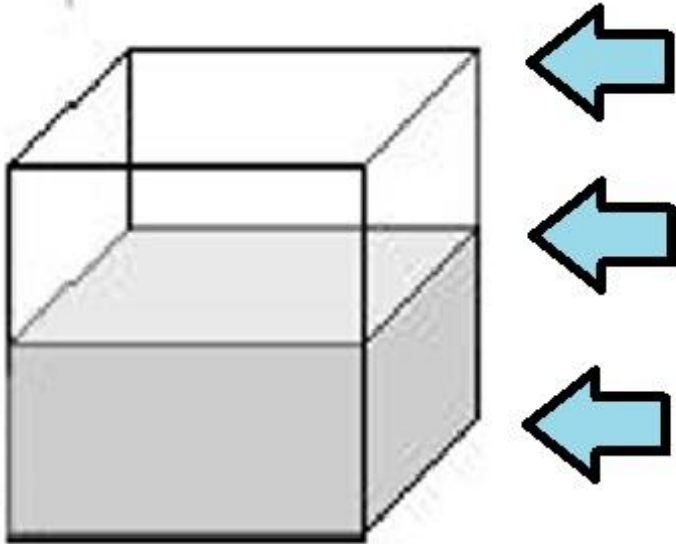
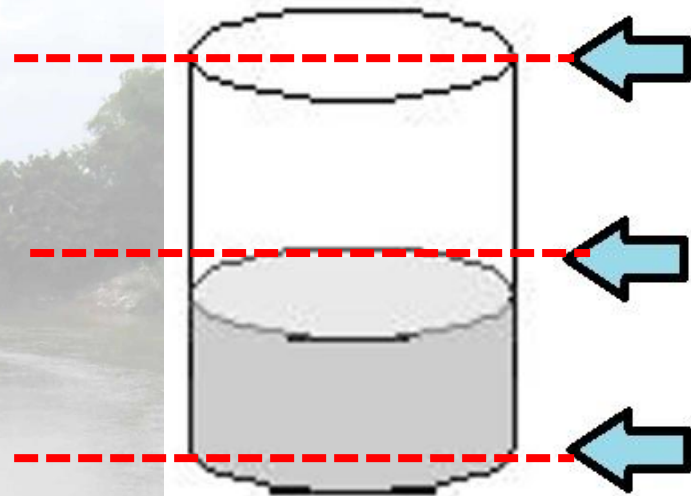
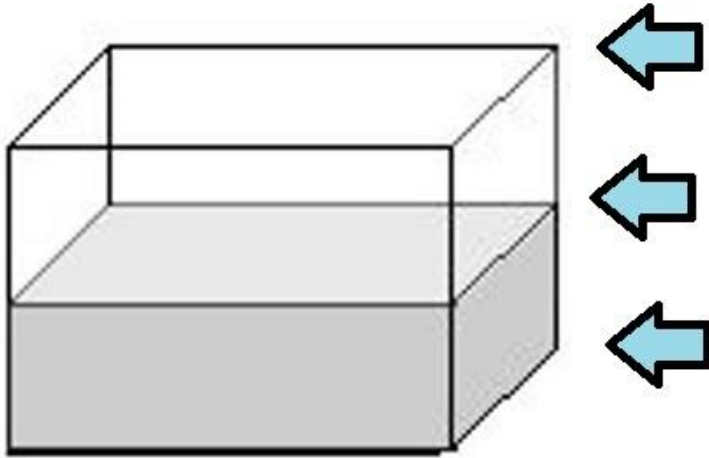
Rainfall Observation (“homemade” rain gauges)





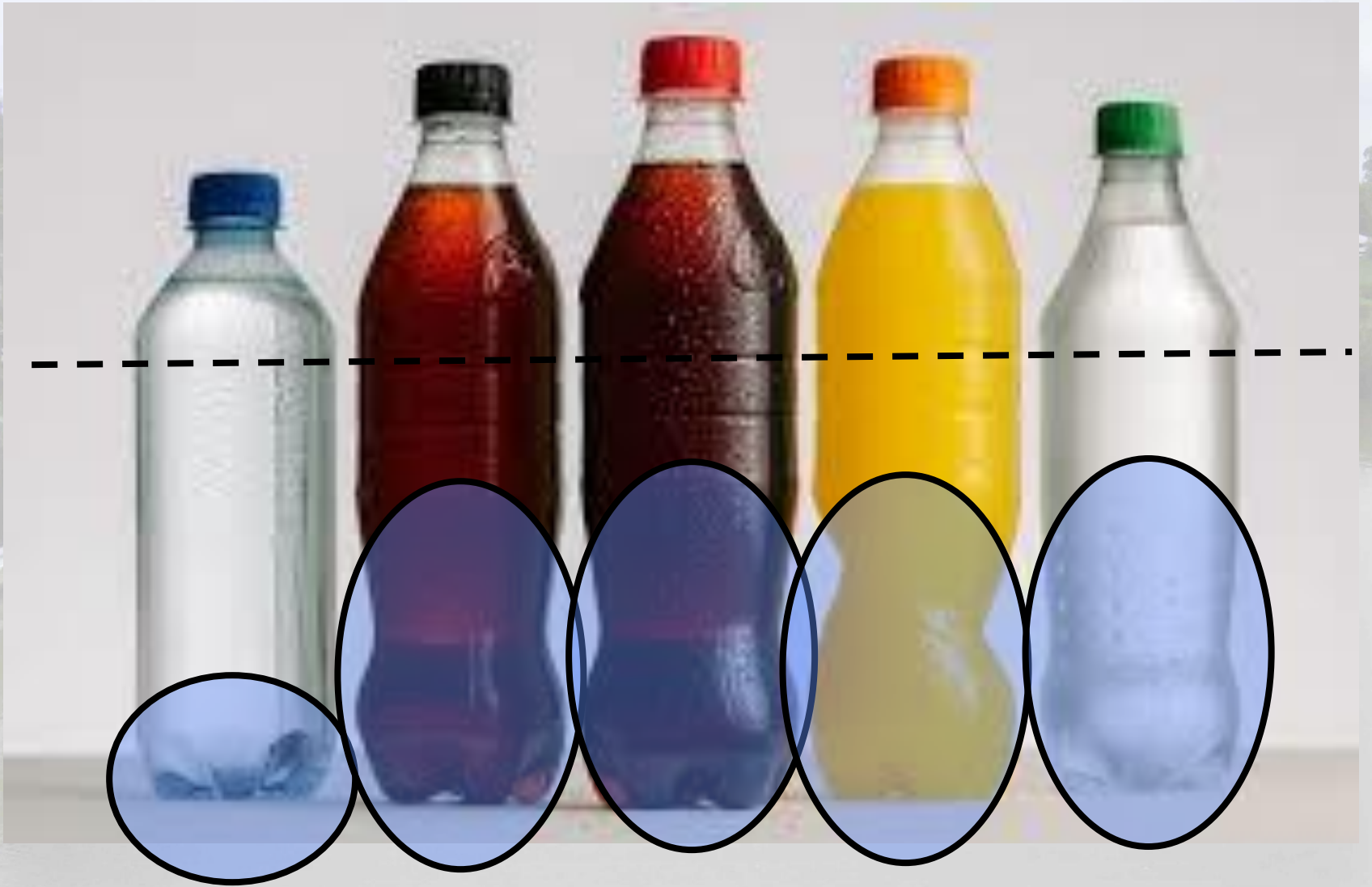
A rain gauge is an instrument to measure rainfall, which is measured in millimeters. Occasionally the rain fall is also reported in centimeters (mm) or in inches.

Container should have same cross-section from top to bottom



PRFFWC



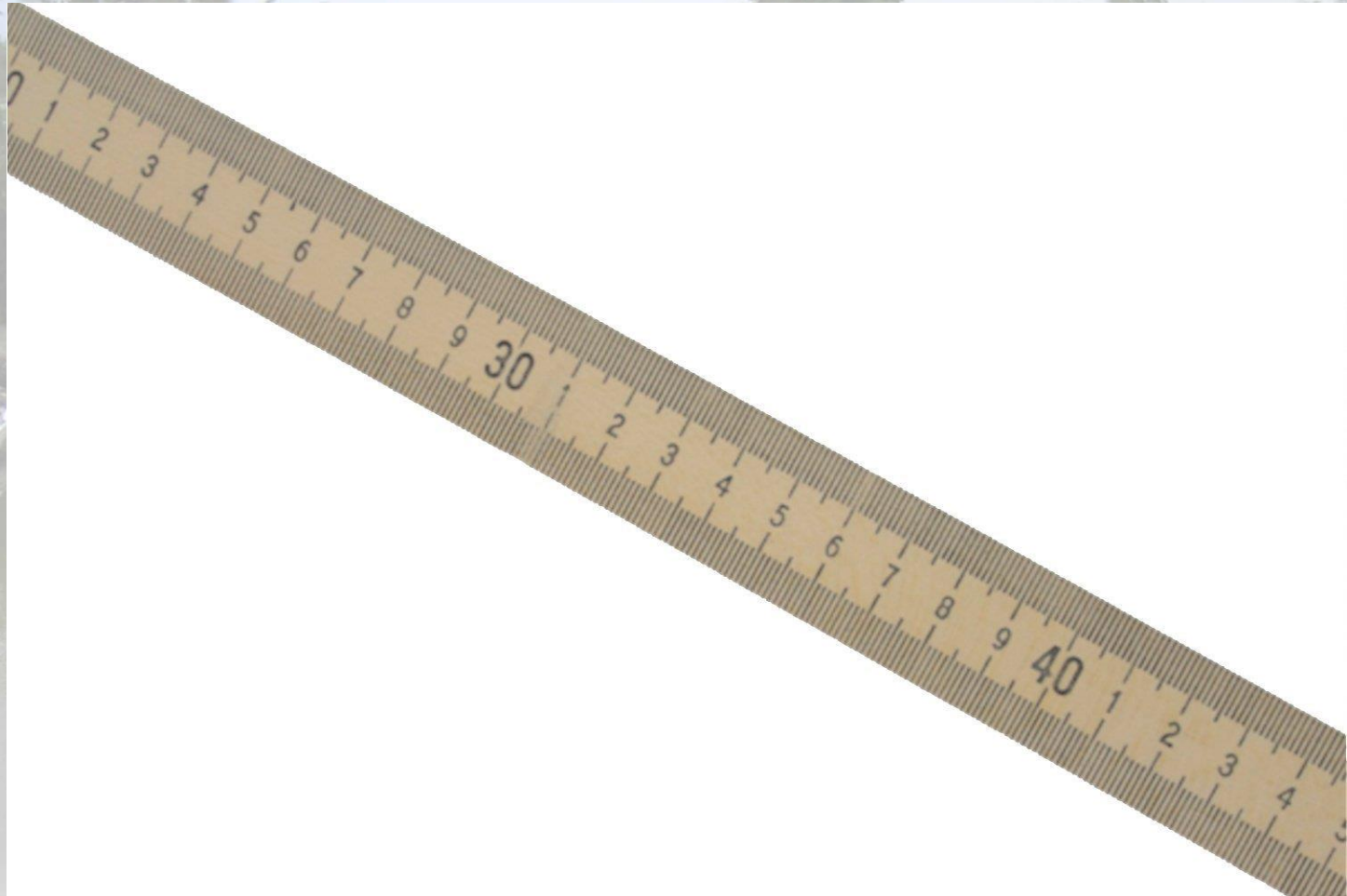


Opening should be...





Meter stick to measure depth



Rainfall Observation ("homemade" rain gauges) Things to take note...



Location...



**2 x A
at least**



**2 x B
at least**







Monthly Data Sheet

Rainfall / Water Level

Type of Gage: Digital RR / Manual RR (mm) / WL gage (m)

hth-2007

Station: K9th

LAT. 14-38-02N

Year: 2008

LONG 121-08-23E

Month: DECEMBER



Day	1:00	2:00	3:00	4:00	5:00	6:00	7:00	8:00	9:00	10:00	11:00	12:00	13:00	14:00	15:00	16:00	17:00	18:00	19:00	20:00	21:00	22:00	23:00	0:00
1								014																
2								00																
3								00									0					0		
4								13	1										49			0		
5	X	X	X	X	X	X	X	042				01									01	0		X
6								00													0	0		
7								00																
8								00					0	0										
9								00																
10								00													0			
11								00			X	X	X	5					0		0			
12		X	X	X	X	X	X	052	X	X	X	X	14						0					
13								00																
14								00																
15								00																
16								00														0		
17								00																
18								00																
19								00																
20								00																
21								00																
22								00																
23								00																
24								003															017	
25								01									09							
26						042		00																
27								00																
28								00																
29								00																
30								00																
31								00		X	X	X	X	X	X	X	X	X	X	X	X	X	X	X

Remarks:

HERNANDEZ, H

simple manual rain gauge set-up



Website: bulacanshine.yolasite.com

FB: <https://www.facebook.com/groups/bulacan.shine>

FB: <https://www.facebook.com/SHINeBulacan>

Bulacan SHINE

Home About us Tibagan HS SRNTS 1st-SHINE-conf-2010 2nd-SHINE-conf-2011 Hagonoy-SHINE-2012 SHINE-BU-2012 3rd-SHINE-conf-2012 shine-2013 with SCI France HS Sta Lucia HS Sta Monica HS Frances ES A Santos ES F Mendoza ES San Agustin ES Sta Monica ES Hagonoy East Central ES SHINE-PRUDENCE-2013 SHINE-Baggao2013 4th-SHINE-conf-2013 2014 SHINE Schools 5th-SHINE-Conf-2014 6th SHINE Conf-2015 Bajet-Castillo Felipe-de Jesus Meycauayan HS Virgen de las Flores 7th SHINE Conf 2016 Guiguinto NVHS Malolos City Integrated School Dona-Candelaria-Meneses-Duque HS San Roque NHS Bunsuran HS Balagtas Obando School of Fisheries 8th-SHINE-conf-2017 9th-SHINE-Conf-2018 10th-SHINE-Conf-2019 Related materials Contact us

Bulacan School Hydrological Information Network (SHINE)

Bulacan SHINE Main Website: www.bulacanshine.webs.com



The SHINE program - Hydromet-related Disaster Awareness and Preparedness in Schools because we believe that disaster awareness and preparedness begins in school.

2015 Event: 6th SHINE Conference

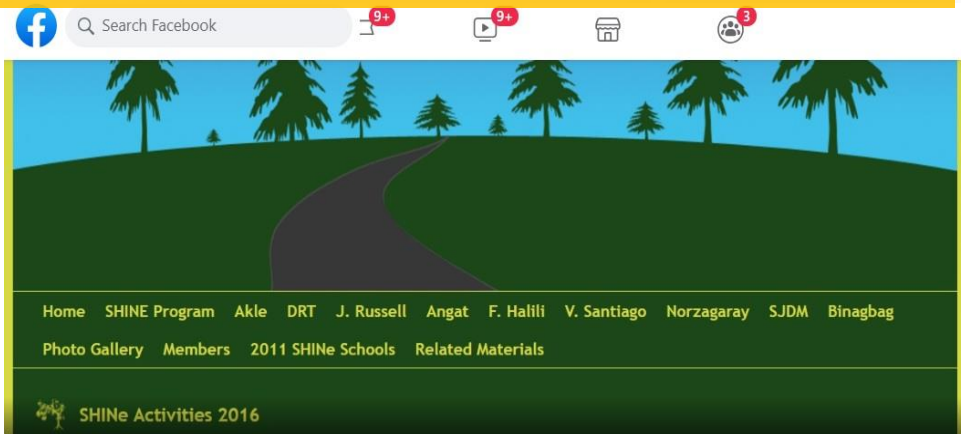
School SHINE Groups for 2014

- Assemblywoman Felicitia G. Bernardino Memorial Trade School (Maricao)
- Iluminada Roxas Mendoza Memorial High School (Bocaue)
- Obando National High School (Obando)
- Sto. Cristo National High School (SJDJM)

2017 Event: 8th SHINE Conference

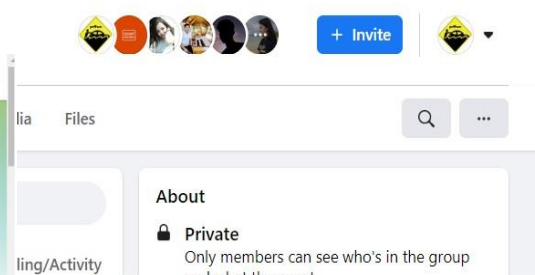
School SHINE Groups for 2017

- Malolos City Integrated School
- Dona Candelaria Meneses-Duque NHS
- Guiguinto National Vocational High School
- San Roque National HS
- Bunsuran High School
- Balagtas Agricultural High School



Bulacan SHINE (School Hydrological Information Network)

Private group · 193 members



bagong.pagasa.dost.gov.ph FB and Twitter accounts

Southwest Monsoon
The "Habagat" (Southwest Monsoon) is expected to bring moderate to occasional... [See More](#)

PAGASA New Trunk Line Number
PAGASA TELEPHONE DIALING GUIDELINES [See More](#)

Meteorologists Training Course 2019
The MTC is open to PAGASA employees, personnel of other National Meteorological and Hydrologic... [See More](#)

Port Area, Metro Manila

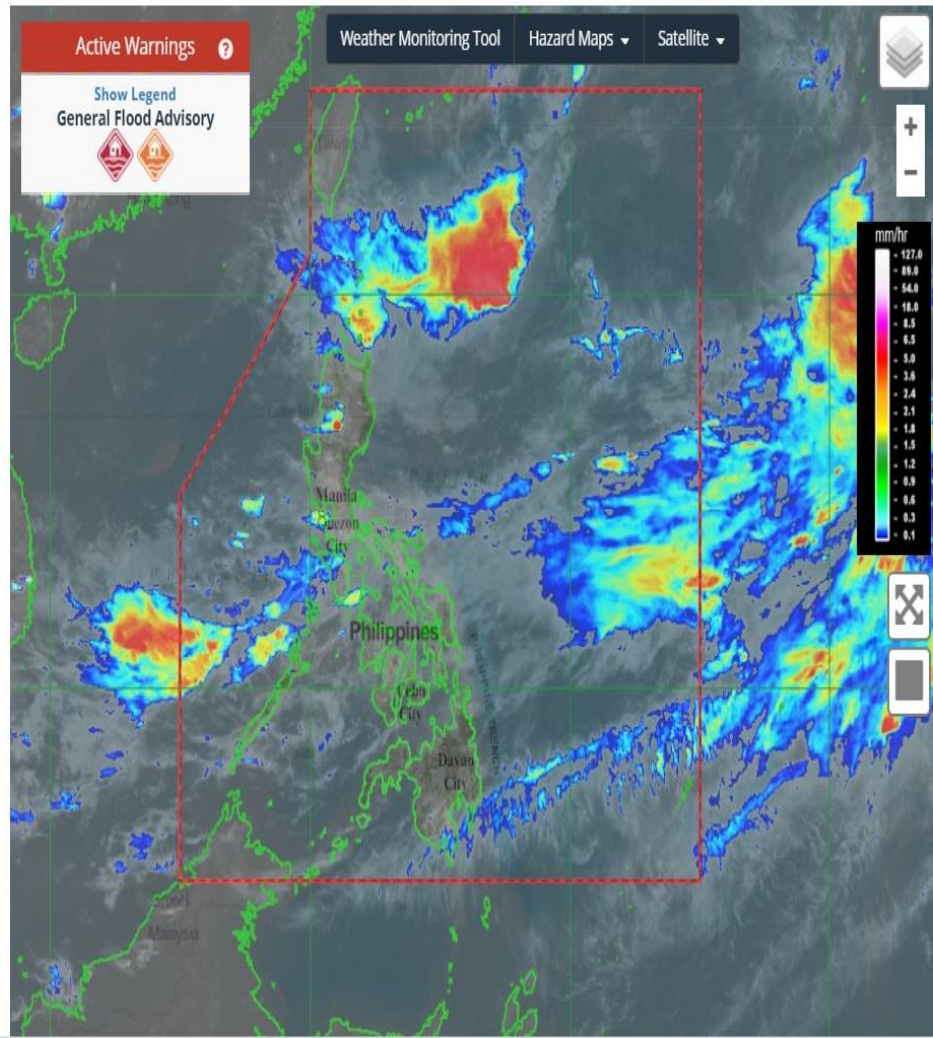
LIGHT RAINS
High 28°C | Low 25°C

Temperature: 26°C Rainfall: - mm Winds: 10.8 km/hr SSW

Weather Station: **Naic Campus** As of 7:09 pm
Temperature: 26°C Precipitation: 1 mm/hr Humidity: 100% Winds: 3.6 km/hr N

5-Day Weather Outlook for Metro Manila

Sep 16 Today	Sep 17 Tuesday	Sep 18 Wednesday	Sep 19 Thursday	Sep 20 Friday
H 28°C L 25°C	H 28°C L 23°C	H 29°C L 23°C	H 30°C L 23°C	H 30°C L 24°C



Website: prffwc.synthasite.com
E-mail address: prffwc@gmail.com



PRFFWC

Home :: hydro-forecast :: Status of Pampanga River Basin :: flood-advisory :: flood bulletin :: PRB Map
Station Info :: Basin Info :: site docs :: PMs :: activities-events :: annual-reps :: netflows :: RR-WL forms



**WELCOME to the
PAMPANGA RIVER BASIN FLOOD FORECASTING & WARNING CENTER (active support site)**

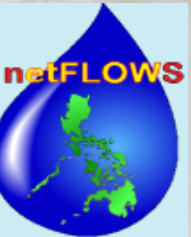
Center Location: DOST-Region 3 Compound, Barangay Maimpis, San Fernando, Pampanga 2000, Philippines

website: <http://www.prffwc.webs.com>
e-mail: prffwc@gmail.com



Links:
PRFFWC Alternate Site: <http://www.prffwc.webs.com>
Bulacan PDMO: <http://bulacan.gov.ph/pdcc/>
PAGASA (Weather Bureau): <http://bagong.pagasa.dost.gov.ph/>
Weather Links: <http://weatherlinks2009.yolasite.com>

**Thank you for your attention.
Advance Happy “COVID-free” Holidays to all.**



PRFFWC

FLOOD WARNING AND INFO SERVICES AT ITS BEST !!!

www.prffwc.synthasite.com